

## Features

- Freestanding design creates a striking focal point in your bathing area
- 17" (432 mm) depth offers a deep soaking experience
- Integral lumbar support
- Slotted overflow allows for deep soaking
- Center toe-tap drain color-matched to the bath

## Material

- Acrylic

## Installation

- Freestanding



## Codes/Standards

CSA B45.5/IAPMO Z124  
ASTM E162  
ASTM E662


## KOHLER® Plastic Baths and Shower Bases Lifetime Limited Warranty

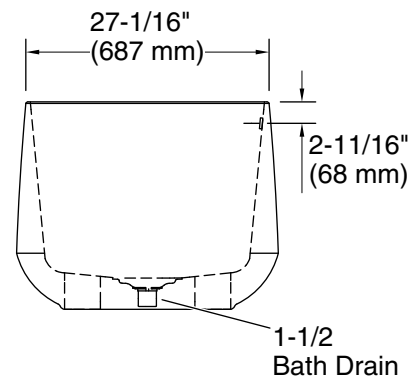
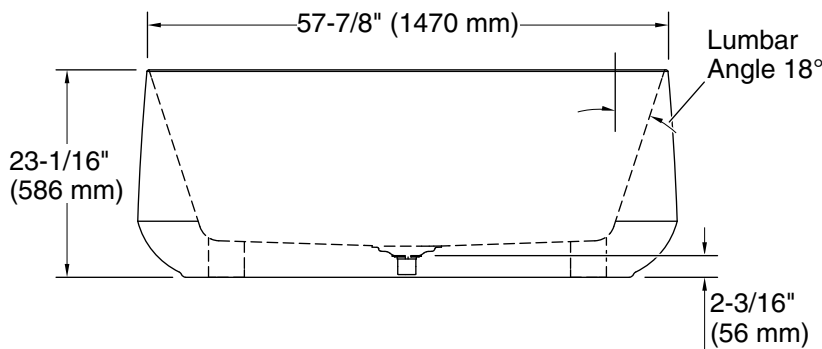
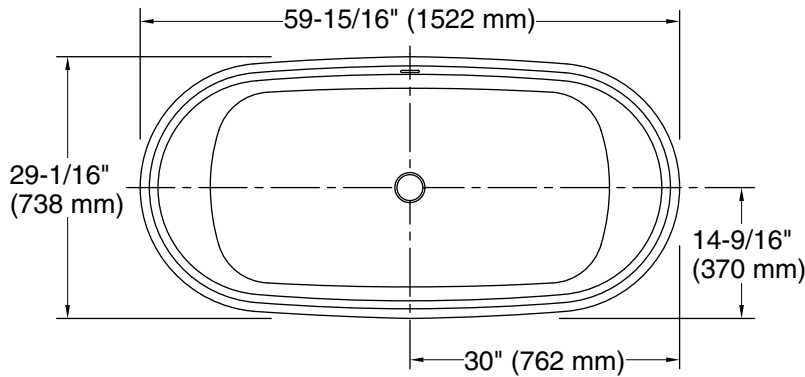
See website for detailed warranty information.

## Available Colors/Finishes

*Color tiles intended for reference only.*

Color	Code	Description
-------	------	-------------

	0	White
---	---	-------



## Technical Information

All product dimensions are nominal.

Installation:	Freestanding
Drain location:	Center
Basin area, bottom:	44-1/2" x 22-1/8" (1130 mm x 561 mm)
Basin area, top:	55-7/8" x 25-1/8" (1419 mm x 639 mm)
Weight:	125 lbs (56.7 kg)
Water depth:	17" (432 mm)
Water capacity:	74 gal (280.1 L)
Template:	Footprint, 1303998-7, not required, not included

## Notes

Measure your actual product for rough-in details.

Install this product according to the installation instructions.

The hot water supply should be 70% of the capacity of the bath or greater. Installations will vary.